

Vcom™ features:

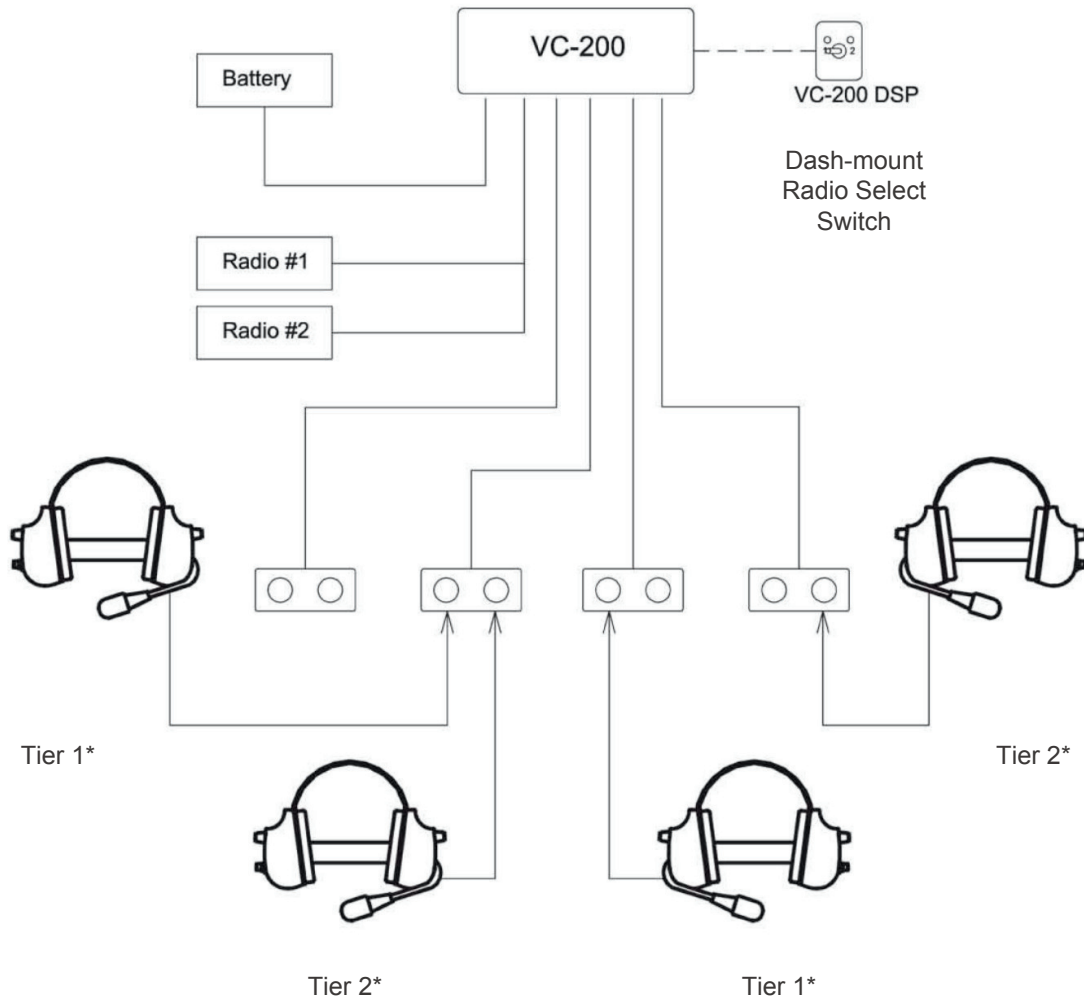
- Connects up to 8 Users
- Dual Jack-Boxes for key positioning of Tier 1 and Tier 2 Headsets
- Smallest Dash-mount Radio Select Switch in industry
- Radio or Intercom Select Switch
- Monitors 2 radios simultaneously OR 1 Radio and AM/FM
- Powered by battery 12V -24V DC
- Three-year limited warranty

SED® Headset Features:

- Full Duplex
- Noise Cancelling Boom or Throat Mic
- Left or Right Dressed Mic
- Volume Control
- Push-to-talk (PTT)
- Hearing Protection 24 dB Noise Reduction Rating
- Mic Muting Switch (Optional)



TYPICAL CONNECTION DIAGRAM



*Tier 1 headsets have Intercom and are able to transmit as well as monitor radios

*Tier 2 headsets have Intercom and are only able to monitor radios



Models Currently Available:

Single Radio Variants

- **Vcom™-S100** One Radio Transmit
- **Vcom™-S100DSP** One Radio Transmit with Digital Signal Processor
- **Vcom™-S110DSP** One Radio Transmit with Mic Muting

Double Radio Variants

- **Vcom™-S200** Two Radio Transmit
- **Vcom™-S200DSP** Two Radio Transmit with Digital Signal Processor
- **Vcom™-S210DSP** Two Radio Transmit with Mic Muting



1-800-665-2740 | 519-396-8555

www.sedtechnologies.com

rescomsales@sedtechnologies.com